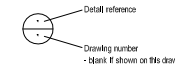


IT IS ASSUMED THAT ALL WORKS ON THIS DRAWING WILL BE CARRIED OUT BY A COMPETENT CONTRACTOR WORKING, WHERE APPROPRIATE, TO AN APPROPRIATE METHOD STATEMENT.

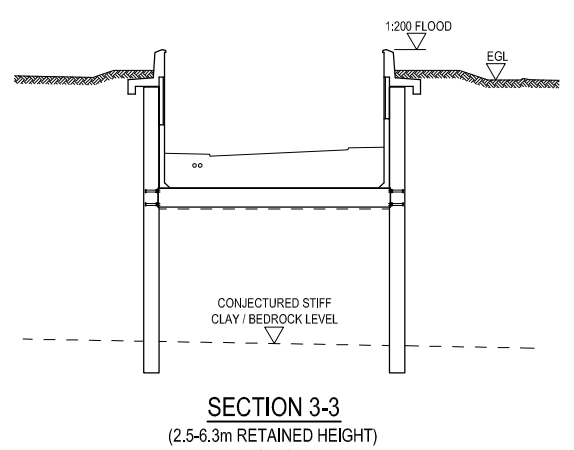
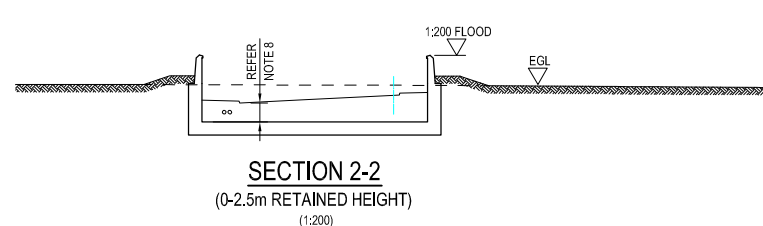
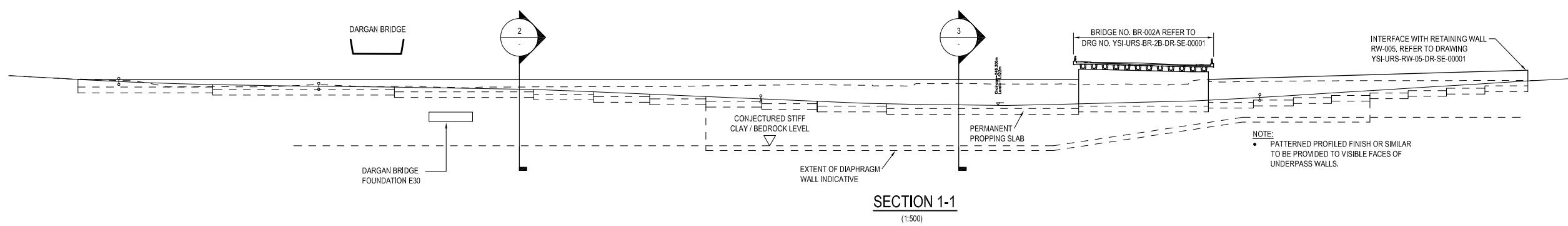
THIS DRAWING IS TO BE USED ONLY FOR THE PURPOSE OF ISSUE THAT IT WAS ISSUED FOR AND IS SUBJECT TO AMENDMENT.

NOTES

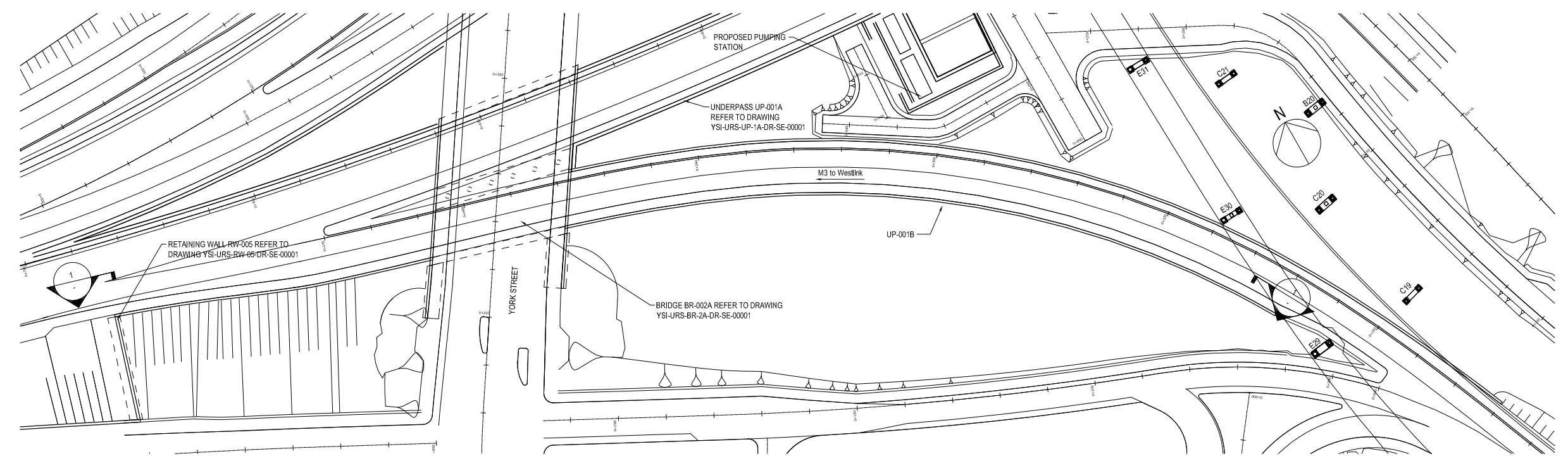
1. THIS DRAWING IS TO BE READ IN CONJUNCTION WITH ALL OTHER RELEVANT DOCUMENTATION.
2. DO NOT SCALE FROM THIS DRAWING. USE ONLY PRINTED DIMENSIONS.
3. ALL DIMENSIONS IN MILLIMETRES. ALL CHANGES, LEVELS AND COORDINATES ARE IN METRES UNLESS DEFINED OTHERWISE.
4. THIS DRAWING IS TO BE READ IN CONJUNCTION WITH THE PROJECT HEALTH & SAFETY FILE FOR ANY IDENTIFIED POTENTIAL RISKS.
5. ALL EXPOSED ARRESSES TO HAVE 25/25 CHAMFERS UNLESS NOTED OTHERWISE. DETAILS ARE REFERENCED THUS:



7. TOP OF RETAINING WALLS & DIAPHRAGM WALLS BASED ON 1:200 YEAR FLOOD LEVEL OF +3.2m AOD + 0.7m FREEBOARD.
8. 1:200 FLOOD LEVEL INDICATED ON DRAWING INCLUDES FREEBOARD ALLOWANCE.
9. MIN DEPTH OF 1350mm TO BE PROVIDED BETWEEN FRL AND TOP OF TROUGH SLAB THROUGHOUT UNDERPASS FOR FUTURE SERVICES AND DRAINAGE.



- SUGGESTED UNDERPASS CONSTRUCTION SEQUENCE
- 1) TAKE MEASURES TO PREVENT DAMAGE TO EXISTING FOUNDATIONS OF DARGAN AND LAGAN BRIDGES. MEASURES TO BE APPROVED BY THE DESIGNER.
 - 2) FORM DIAPHRAGM WALLS OF UNDERPASSES.
 - 3) EXCAVATE BETWEEN DIAPHRAGM WALLS TO TEMPORARY PROPPING LEVEL.
 - 4) INSTALL TEMPORARY PROPS.
 - 5) REPEAT ITEMS 3 & 4 AS NECESSARY.
 - 6) EXCAVATE BELOW PROPS TO ALLOW FORMATION OF PERMANENT PROPPING SLAB.
 - 7) CONSTRUCT PERMANENT PROPPING SLAB USING COUPLERS TO FORM AN INTEGRAL CONNECTION WITH DIAPHRAGM WALLS.
 - 8) REMOVE TEMPORARY PROPS.
 - 9) CONSTRUCT FINISHES.



Revision Details	By	Check	Date	St/In
GENERAL REVISIONS	SF	GMcF	24.11.14	P2
GENERAL REVISIONS	DSH	GMcF	14.07.14	P1

Purpose of Issue: PRELIMINARY



Project Title: YORK STREET INTERCHANGE

Drawing Title: UNDERPASS UP-001B GENERAL ARRANGEMENT

Designed	Drawn	Checked	Approved	Date
GMcF	JMcC	GMcF	GMcF	JAN 14

URS Internal Project No. 47037827
Scale @ A1 AS SHOWN
Zone

THIS DOCUMENT HAS BEEN PREPARED PURSUANT TO AND SUBJECT TO THE TERMS OF URS' APPOINTMENT BY ITS CLIENT. URS ACCEPTS NO LIABILITY FOR ANY USE OF THIS DOCUMENT OTHER THAN BY ITS ORIGINAL CLIENT OR FOLLOWING URS' EXPRESS AGREEMENT TO SUCH USE, AND ONLY FOR THE PURPOSES FOR WHICH IT WAS PREPARED AND PROVIDED.

URS Infrastructure & Environment UK Limited
Beech Hill House
Beech Hill Road, Belfast
BT5 7BP
Tel: +44 (0)28 9070 5111
Fax: +44 (0)28 9079 5551
www.ursi.com

Drawing Number	Rev
YSI-URS-UP-1B-DR-SE-00001	P2